

NOTES

- 1) ALL DIMENSIONS GIVEN IN INCHES UNLESS OTHERWISE SPECIFIED.
- 2) DESIGN CONDITIONS:
 MAX PRESSURE 150 PSI
 MAX TEMPERATURE 140 °F
 663 GPM @ 70' TDH
- 3) APPROXIMATE MASS: 1354 LBS (DRY)

#	COMPONENT
1	NEMA 4X, UL, 460V/3PH/60Hz CONTROL PANEL
2	FILTER: 6" SAF-6000, 50 MICRON SCREEN
3	PUMP: 20HP 3600RPM, 460/3/60, 663 GPM @ 70' TDH
4	PURGE: 2" BERMAD SERIES 400
5	BASE: EPOXY COATED CARBON STEEL
6	FACE PIPE: 6" 304SS
7	SOLENOID: 24VAC ASCO RED HAT
8	DP SWITCH: MIDWEST MODEL 146
9	DRIVE MOTOR: 1/4HP BALDOR 33-1924-0422G1
10	ISOLATION VALVE: 6" BRAY S31 BUTTERFLY VALVE

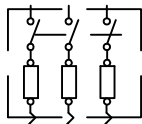
Amiad WATER SYSTEMS
 120-J TALBERT ROAD
 MOORESVILLE, NC 28117
 PH: (704) 662-3133
 FAX: (704) 662-3155

DRAWING DATE: 8/1/2016		DRAWING TITLE: FILTR SKID 6" SAF 6000 WITH PUMP AND CONTROLS	
SCALE: 1:20		DRAWING NUMBER: 700301-000045	
SHEET 1 OF 2		CAT NUMBER: 700301-000045	
DRAWN BY: MAV		REV. NO. 1	
CHECKED BY: SAL		GENERAL TOLERANCES (EXCEPT AS NOTED)	
APPROVED BY: _____		ANGULAR ± 1° FRACTIONAL ± 1/8" Dec: 2 PL ± 0.05", 3 PL ± 0.010"	

NO.	REVISION NOTES	DATE	BY
1	BASE DETAIL UPDATED	2/8/2016	BJH

460V/3φ/60 Hz

L1 L2 L3

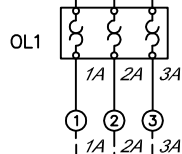
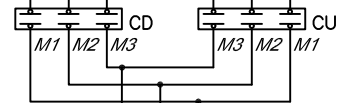
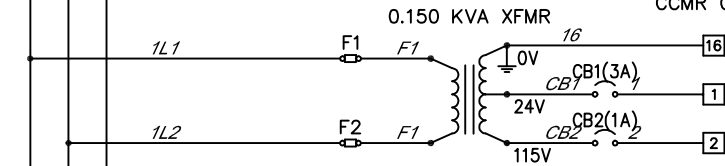


MAIN DISCONNECT AND BRANCH CIRCUIT PROTECTION PROVIDED BY OTHERS (MAXIMUM OF 90A DUAL TIME DELAY FUSE OR 90A INVERSE TIME BREAKER RECOMMENDED)

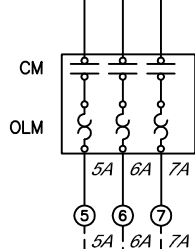
LOCKABLE NON-FUSED DISCONNECT SWITCH (RATED @ 80 AMPS)

150VA TRANSFORMER	
VOLTAGE	FUSING
575	1A
460	1A
400	1A
230	2A
208	2A

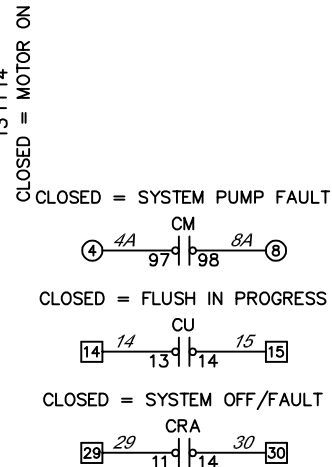
ALL FUSING TO BE LITTELFUSE CL. CC CCMR OR EQUIV.



MAX. VOLTAGE: 600V
MAX. AMPERES: 5A



MAX. VOLTAGE: 600V
MAX. AMPERES: 40A



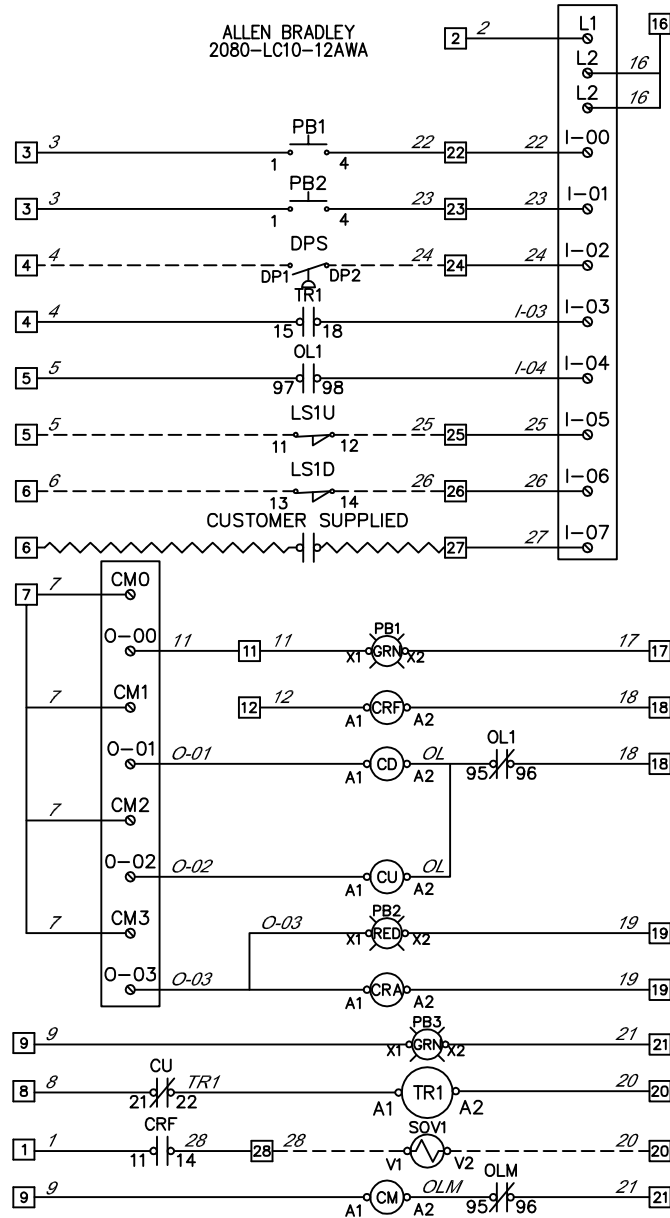
POWER	460V/3~/60HZ
TOTAL FLA	45.33 AMPS
SCCR	5 kA RMS SYMMETRICAL, 600V MAX.
LARGEST MTR.	30 HP

STANDARD	UL 508A
SIZE	16"L x 14"W x 7"D
UL RATING	TYPE 4X
MATERIAL	POLYCARBONATE

- GROUND PER 2011 NATIONAL ELECTRICAL CODE ARTICLE 250.
- PANEL WIRING: _____
FIELD WIRING: _____
CUSTOMER'S WIRING: _____
FACTORY INSTALLED JUMPER: _____
- USE COPPER WIRE RATED 60°C MINIMUM UNLESS OTHERWISE SPECIFIED.
- DISCONNECT SWITCH TORQUE REQUIREMENTS: 35 LB IN. CONTACTOR/OVERLOAD TORQUE REQUIREMENTS: 7-10 LB IN.
- SIZE THE MAIN DISCONNECT AND BRANCH CIRCUIT PROTECTION PER 2011 NATIONAL ELECTRIC CODE ARTICLE 430.

- CONDUIT HUBS AND FITTINGS MUST HAVE THE SAME UL ENVIRONMENTAL RATING AS THE CONTROL PANEL ENCLOSURE.
- WIRE COLORS ARE AS FOLLOWS—LINE=BLACK, AC=RED, NEUTRAL=WHITE, DC+=BLUE, DC-=WHITE/BLUE, GROUND=GREEN/YELLOW, EXTERNAL SOURCE=YELLOW.
- SET MOTOR OVERLOADS ACCORDING FLA ON MOTOR DATA PLATE
- ALL MOTOR WIRING TO BE AT LEAST CU. 75° RATED.
- TB1= [5] TBA= [1] TBB= [1]

ALLEN BRADLEY
2080-LC10-12AWA



PLC POWER ON

FLUSH PUSHBUTTON

FAULT RESET PUSHBUTTON

DIFFERENTIAL PRESSURE

FLUSH INTERVAL TIMER

FAULT

UP LIMIT SWITCH

DOWN LIMIT SWITCH

REMOTE STOP

FLUSH PUSHBUTTON

FLUSH VALVE CONTROL

MOTOR DOWN

MOTOR UP

FAULT RESET PUSHBUTTON

FAULT CONTROL

POWER ON

FLUSH INTERVAL TIMER (0.05S-60HRS)

FLUSH VALVE

SYSTEM PUMP



120-J TALBERT ROAD
MOORESVILLE, NC 28117 USA
(704) 662-3133 FAX (704) 662-3155

THIS DRAWING AND THE INFORMATION CONTAINED HEREIN IS THE PROPERTY OF AMIAD WATER SYSTEMS. ANY USE OR REPRODUCTION THEREOF WITHOUT THE WRITTEN PERMISSION OF AMIAD WATER SYSTEMS ENGINEERING DEPARTMENT IS STRICTLY PROHIBITED.

DRAWING DATE: 11/23/2015	DRAWING TITLE: 1F 460V/3~ SOL AMD 1-5A, 16-40A WIRING DIAGRAM
SCALE: 1" = 1"	DRAWING NUMBER: 720102-000661-ELC
SHT. 1 of 2	REV. NO. 0
DRAWN BY: RAM	CATALOG NUMBER: 720102-000661
CHKD BY: ---	GENERAL TOLERANCES (EXCEPT AS NOTED)
APP. BY: ---	ANGULAR ±1° FRACTIONAL ± 1/8" DEC: 2PL±0.05", 3PL±0.010"

NO.	DATE	NOTES	BY
GENERAL REVISIONS			

