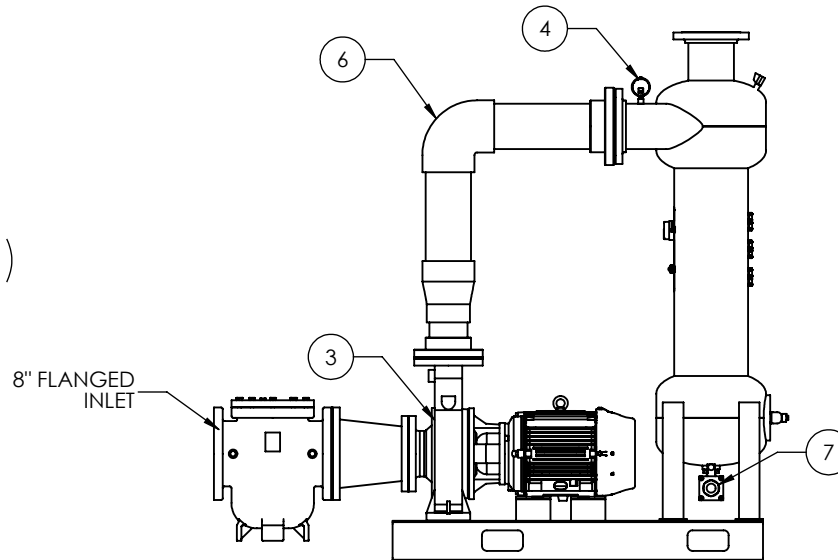
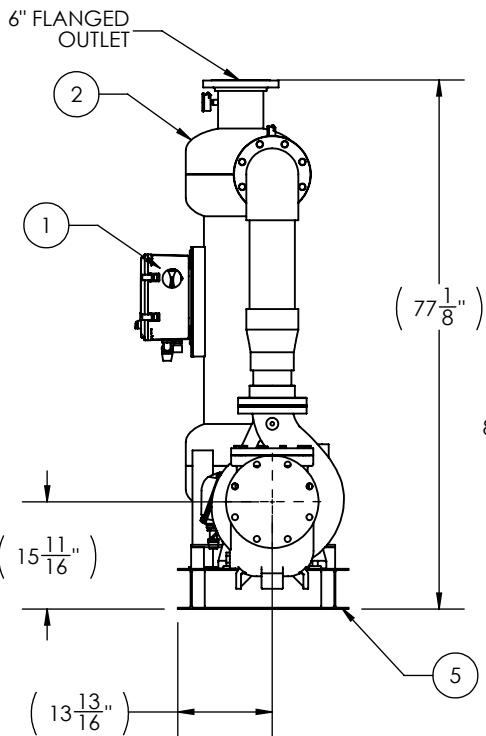


NOTES

- 1) ALL DIMENSIONS GIVEN IN INCHES UNLESS OTHERWISE SPECIFIED.
- 2) MAX OPERATING PRESSURE: 150 PSI
- 3) TANK CONSTRUCTION: CARBON STEEL
- 4) EXTERIOR: EPOXY COATED
- 5) APPROXIMATE MASS:
SHIPPING: 1335 LBS
OPERATING: 1740 LBS



#	COMPONENT
1	NEMA 4X, UL, 460V/3PH/60Hz CONTROL PANEL
2	SEPARATOR: 6" ICS, EPOXY COATED CARBON STEEL
3	PUMP: 15HP 1750RPM, 460/3/60, 1100 GPM @ 35' TDH
4	INLET/OUTLET PRESSURE GAUGES: 2.5" 0-160 PSI, LIQ FILLED
5	BASE: EPOXY COATED STEEL I-BEAM
6	FACE PIPE: 6" PVC SCH 80
7	PURGE: 120V COAXIAL SOLENOID VALVE

<p>Amiad WATER SYSTEMS</p>	<p>120-J TALBERT ROAD MOORESVILLE, NC 28117 PH: (704) 662-3133 FAX: (704) 662-3155</p>
	<p>THIS DRAWING, AND THE INFORMATION CONTAINED HEREIN, IS THE PROPERTY OF AMIAD WATER SYSTEMS. ANY USE OR REPRODUCTION THEREOF WITHOUT THE WRITTEN PERMISSION OF AMIAD WATER SYSTEMS ENGINEERING DEPARTMENT IS STRICTLY PROHIBITED.</p>
	<p>DRAWING DATE: 5/21/2018 SCALE: 1:28 SHEET 1 OF 2</p>

DRAWING TITLE: ICS 1100 GPM LH WITH FACE PIPING AND PUMP

DRAWING NUMBER: 200110-000034 ASY-1100GPM LH-S

DRAWN BY: MAV	CAT NUMBER: 200110-000034	REV. NO. 0
CHECKED BY: SAL	GENERAL TOLERANCES (EXCEPT AS NOTED)	ANGULAR ± 1° FRACTIONAL ± 1/8" Dec: 2 PL ± 0.05"; 3 PL ± 0.010"
APPROVED BY: _____		

NO.	REVISION NOTES	DATE	BY

5

4

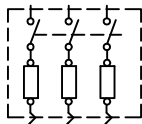
3

2

1

460V/3 ϕ /60 Hz

L1 L2 L3

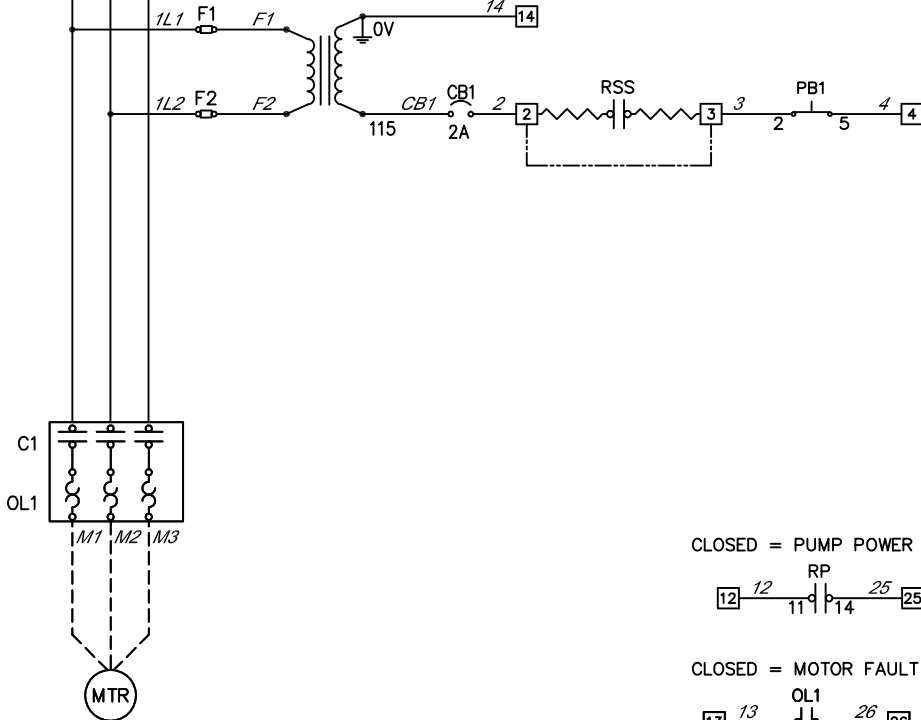


MAIN DISCONNECT AND BRANCH CIRCUIT PROTECTION PROVIDED BY OTHERS (MAXIMUM OF 60A DUAL TIME DELAY FUSE OR 90A INVERSE TIME BREAKER RECOMMENDED)

150VA TRANSFORMER		
Voltage	Fuse	Location
460	1A	H1-H4
230	2A	H2-H4
208	2A	H3-H4

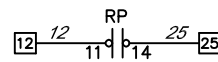
LOCKABLE NON-FUSED DISCONNECT SWITCH (RATED @ 40 AMPS)

ALL PRIMARY FUSING TO BE LITTELFUSE CLASS CC, CCMR OR EQUIV.

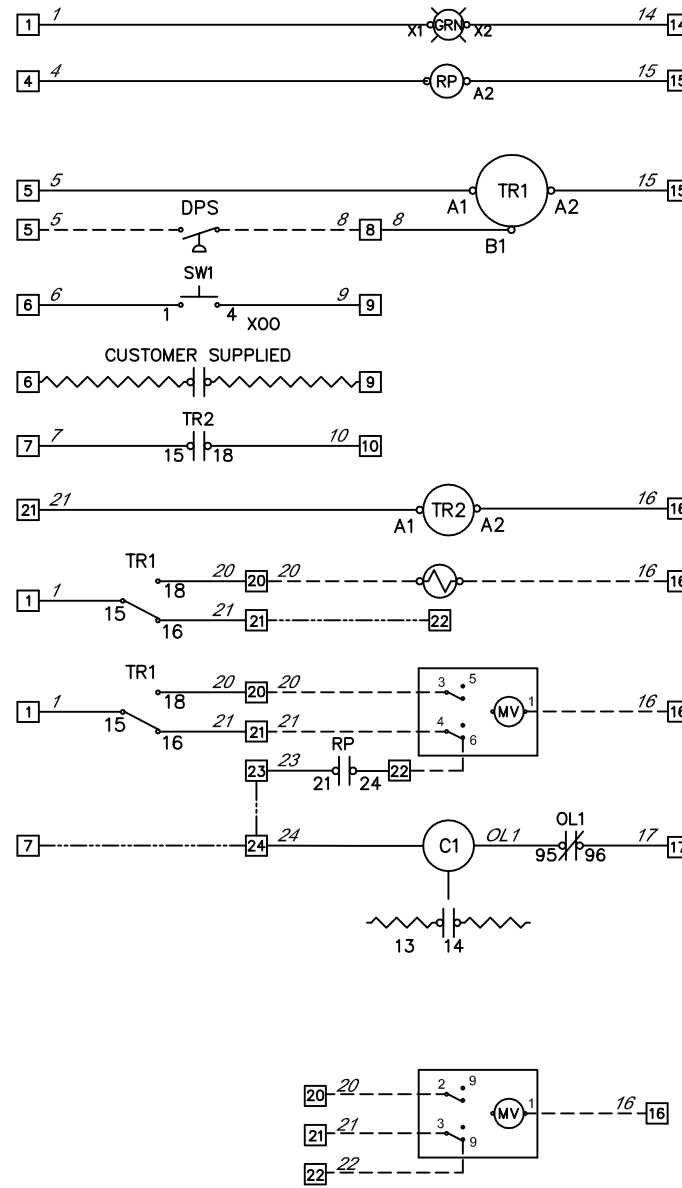
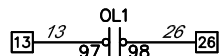


MAX. VOLTAGE: 600V
MAX. AMPERES: 39.00A

CLOSED = PUMP POWER ON



CLOSED = MOTOR FAULT



POWER ON LIGHT

PUMP POWER ON

FLUSH DURATION (2 MIN)
DIFFERENTIAL PRESSURE

LOCAL FLUSH START

REMOTE FLUSH START

CYCLE TIMER

CYCLE TIMER (0.05S-60HRS)
FLUSH VALVE OPTIONS (SHOP TO ADD JUMPER FROM TB21 TO TB22 IF SOLENOID FLUSH VALVE IS USED)

SYSTEM PUMP (REMOVE JUMPER FROM TB7 TO TB24 FOR EXTERNAL SOURCE FLUSH; REMOVE MECHANICAL JUMPER FROM TB23 TO TB24 FOR SYSTEM FLUSH)

MOTOR ON DRY CONTACTS

OPTIONAL BRAY ACTUATOR

POWER	POWER	460V/3~ /60HZ
	TOTAL FLA	34.33 AMPS
	SCCR	5 kA RMS SYMMETRICAL, 600V MAX.
	LARGEST MTR.	25 HP

ENCLOSURE	STANDARD	UL 508A
	SIZE	12"L x 10"W x 6"D
	UL RATING	TYPE 4X
	MATERIAL	POLYCARBONATE

- GROUND PER 2011 NATIONAL ELECTRICAL CODE ARTICLE 250.
- PANEL WIRING: SHOP/FIELD WIRING: CUSTOMER'S WIRING: FACTORY INSTALLED JUMPER:
- USE COPPER WIRE RATED 60°C MINIMUM UNLESS OTHERWISE SPECIFIED.
- DISCONNECT SWITCH TORQUE REQUIREMENTS: 35 LB IN. CONTACTOR/OVERLOAD TORQUE REQUIREMENTS: 7-10 LB IN.
- SIZE THE MAIN DISCONNECT AND BRANCH CIRCUIT PROTECTION PER 2011 NATIONAL ELECTRIC CODE ARTICLE 430.

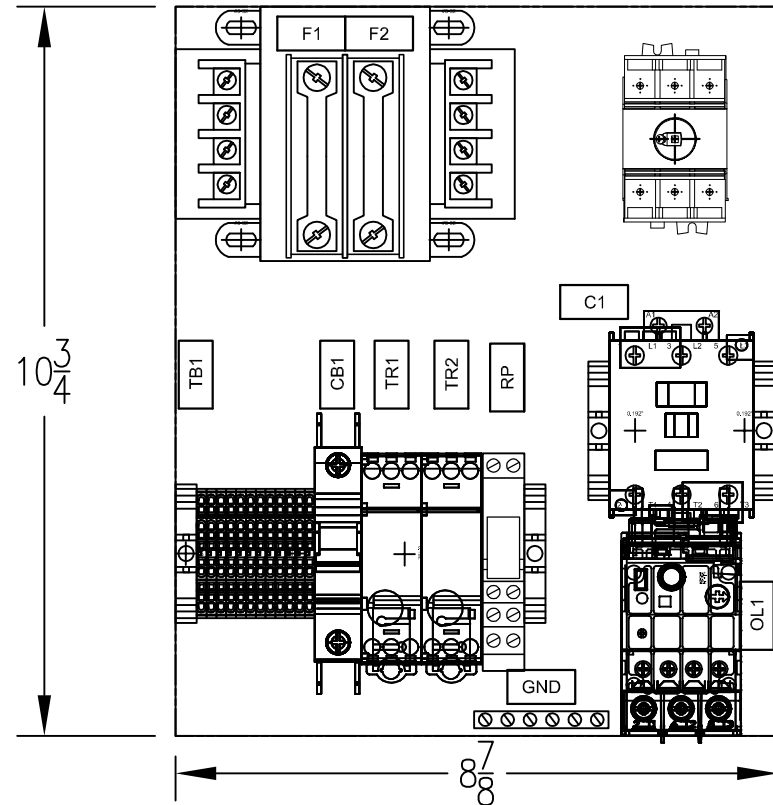
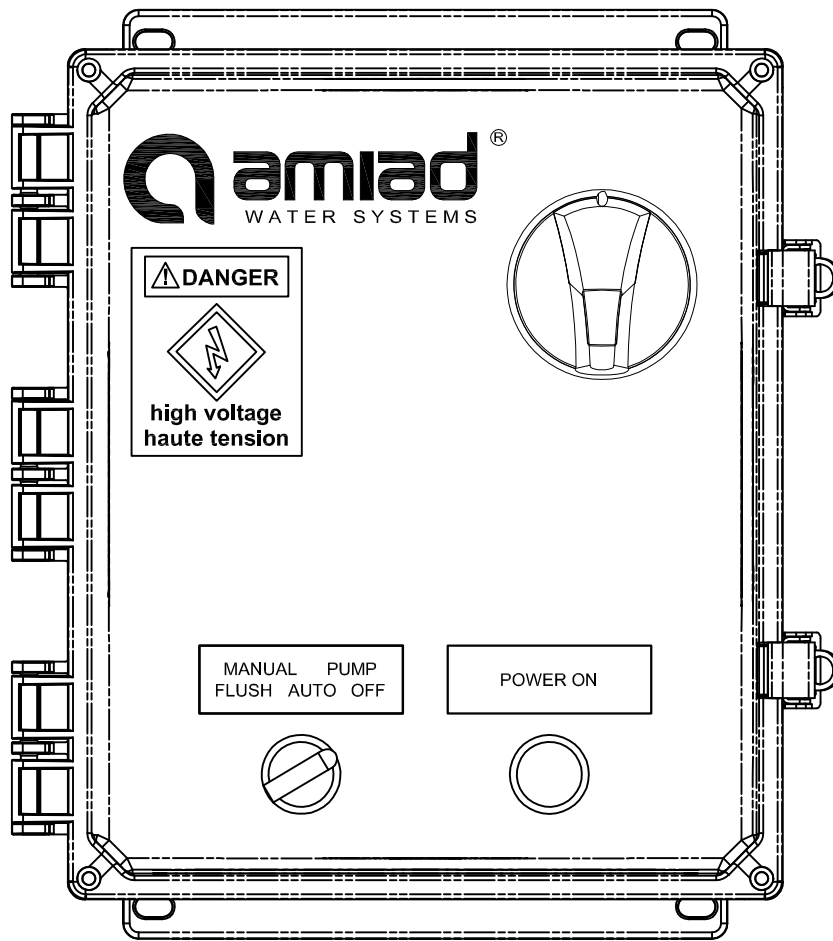
- CONDUIT HUBS AND FITTINGS MUST HAVE THE SAME UL ENVIRONMENTAL RATING AS THE CONTROL PANEL ENCLOSURE.
- WIRE COLORS ARE AS FOLLOWS-LINE=BLACK, AC=RED, NEUTRAL=WHITE, DC+=BLUE, DC-=WHITE/BLUE, GROUND=GREEN/YELLOW, EXTERNAL SOURCE=YELLOW.
- SET MOTOR OVERLOADS ACCORDING FLA ON MOTOR DATA PLATE
- ALL MOTOR WIRING TO BE AT LEAST CU, 75° RATED.
- TB1= 5 TBA= 1 TBB= 1

NO.	DATE	NOTES	BY
6	05/18/2018	MOTOR CURRENT CALCULATIONS	RAM
5	10/5/2017	DELETE COUNTER	RAM
4	08/31/2016	ADD COUNTER, FIX PUMP "SOURCE" POWER	RAM
3	07/27/2015	ADD OPTIONAL BRAY ACTUATOR	RAM
2	07/10/2014	MOTOR CONTROL	CEH
1	06/03/2014	WIRE LABELS	JTE

THIS DRAWING AND THE INFORMATION CONTAINED HEREIN IS THE PROPERTY OF AMIAD WATER SYSTEMS. ANY USE OR REPRODUCTION THEREOF WITHOUT THE WRITTEN PERMISSION OF AMIAD WATER SYSTEMS ENGINEERING DEPARTMENT IS STRICTLY PROHIBITED.

Amiad WATER SYSTEMS 120-J TALBERT ROAD MOORESVILLE, NC 28117 USA (704) 662-3133 FAX (704) 662-3155

DRAWING DATE: 05/09/2014
DRAWING TITLE: 1F 460V/3~ UNI/SOL PEP 16.01-40A WIRING DIAGRAM
DRAWING NUMBER: 720102-002093-ELC REV. NO. 6
SCALE: 1" = 1"
SHT. 1 of 2
DRAWN BY: JTE
CATALOG NUMBER: 720102-002093
GENERAL TOLERANCES (EXCEPT AS NOTED) ANGULAR ±1° FRACTIONAL ± 1/8" DEC: 2PL±0.05", 3PL±0.010"



UPPER LEVEL

1	2	3	4	5	6	7	8	9	10	11	12	13
14	15	16	17	18	19	20	21	22	23	24	25	26

LOWER LEVEL

NOTE

1. ALL HARDWARE WILL INCLUDE ONE MECHANICAL LOCK AND A FLAT WASHER.
2. THE ONLY EXCEPTION IS IF THE MECHANICAL SCREW IS A SELF-THREADING SCREW.
3. IF BOLT/SCREW NEEDS TO GO THROUGH A THROUGH-HOLE, THE BOLT/SCREW WILL NEED A FLAT WASHER ON BOTH SIDES OF THE MATERIAL AND MECHANICAL LOCK BEFORE THE NUT.
4. ALL HARDWARE HAS TO THREAD AT LEAST TWO COMPLETE TURNS THROUGH THE NUT/THREADED HOLE
5. IF VISIBLE, NO HARDWARE WILL EXTEND PAST THREE THREADS OUT OF THE NUT/THREADED HOLE.
6. BACKPLANE AND DEAD FRONT IF REQUIRED ARE TO BE GROUNDED ACCORDING NEC 70E.
7. UNLESS OTHERWISE NOTED, ALL CONTACTORS WILL BE AB 100-C, OVERLOADS AB 193 E-1, CONTROL RELAYS AB 700-HLT, AND CIRCUIT BREAKERS AB 1489.

amiad® WATER SYSTEMS 120-J TALBERT ROAD
MOORESVILLE, NC 28117 USA
(704) 662-3133 FAX (704) 662-3155

THIS DRAWING AND THE INFORMATION CONTAINED HEREIN IS THE PROPERTY OF AMIAD WATER SYSTEMS. ANY USE OR REPRODUCTION THEREOF WITHOUT THE WRITTEN PERMISSION OF AMIAD WATER SYSTEMS ENGINEERING DEPARTMENT IS STRICTLY PROHIBITED.

DRAWING DATE: 05/09/2014	DRAWING TITLE: 1F 460V/3~ UNI/SOL PEP 16.01-40A WIRING DIAGRAM				
SCALE: 1" = 3"	DRAWING NUMBER: 720102-002093-ELC				
SHT. 2 of 2	REV. NO. 5				
DRAWN BY: JTE	CATALOG NUMBER: 720102-002093				
NO. DATE	NOTES	BY	CHKD BY: ---	GENERAL TOLERANCES (EXCEPT AS NOTED)	ANGULAR ±1° FRACTIONAL ± 1/8" DEC: 2PL±0.05", 3PL±0.010"
GENERAL REVISIONS					
APP. BY: ---					